



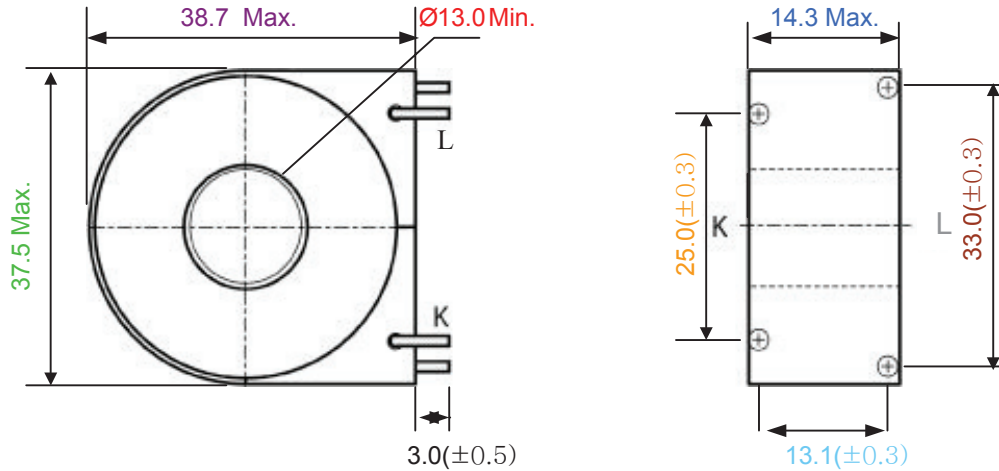
SPECIFICATION

Accuracy Grade Current Transformer

H-4P

Standard Type

● DIMENSION

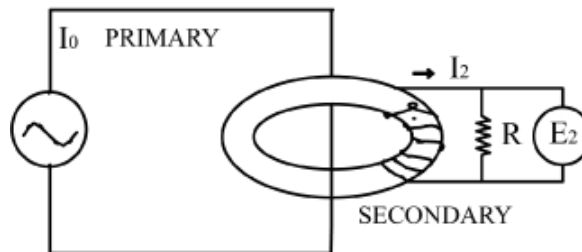


● CHARACTERISTICS

ITEM	PROPERTY	CONDITION
CURRENT RATIO	2500:1	
RATED CURRENT	120A / 48mA	at No Load
OUT PUT(E2)	480mV	IN PUT 120A, at Load R=10Ω
RATIO ERROR	0.2% max.	PRIMARY RATED'S (100%~3.33%)
PHASE ANGLE ERROR	±0.2° max.	PRIMARY RATED'S (100%~3.33%)

● TEST DIAGRAM

OUT PUT



Stt SUNGHAN TRANSTEK CO.,LTD

#25-63 Gusan-Dong Eunpyong-Gu Seoul Korea
Tel : +82-2-352-8414 Fax : +82-2-352-8416

www.transteks.com

E-mail : sunghan@transtek.co.kr